

SUBMITTAL/TECHNICAL DATA SHEET



APPLICATION

Economical access to fiberglass ducts

FEATURES

- These doors are for use in low to medium pressure fiberglass ducts
- Hinged door panel

OPTIONS

- Aluminum
- Stainless steel

SPECIFICATIONS

MATERIAL: Galvanized steel

DOOR: 24 gauge

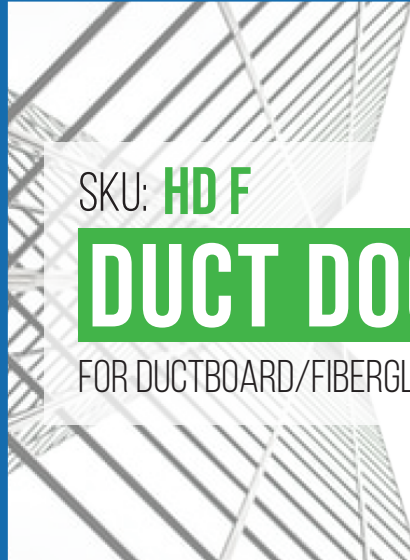
MOUNTING FRAME: 24 gauge

GASKETING: 1/8" thick by 1/2" wide closed cell neoprene gasketing between door and frame and also between frame and duct.

INSULATION: 1" Micro-AIRC M/F TYPE-475 R value 7.7

HINGE: Continuous aluminum piano hinge

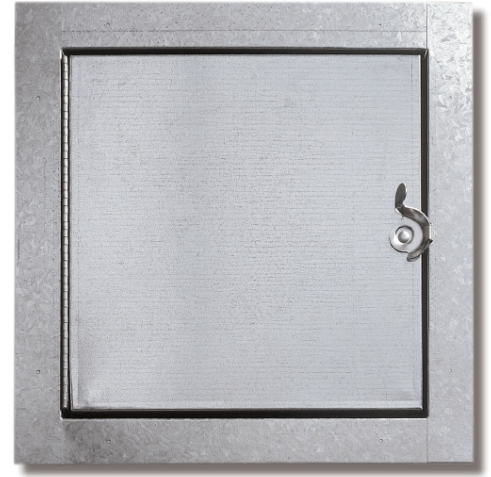
LATCH: Self tightening, hand operated cam latch



SKU: **HD F**

DUCT DOORS

FOR DUCTBOARD/FIBERGLASS DUCTS



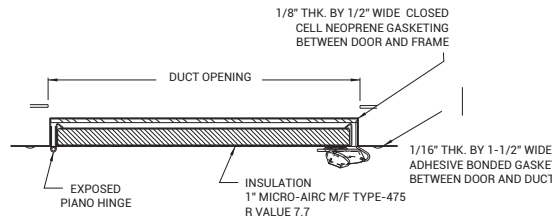
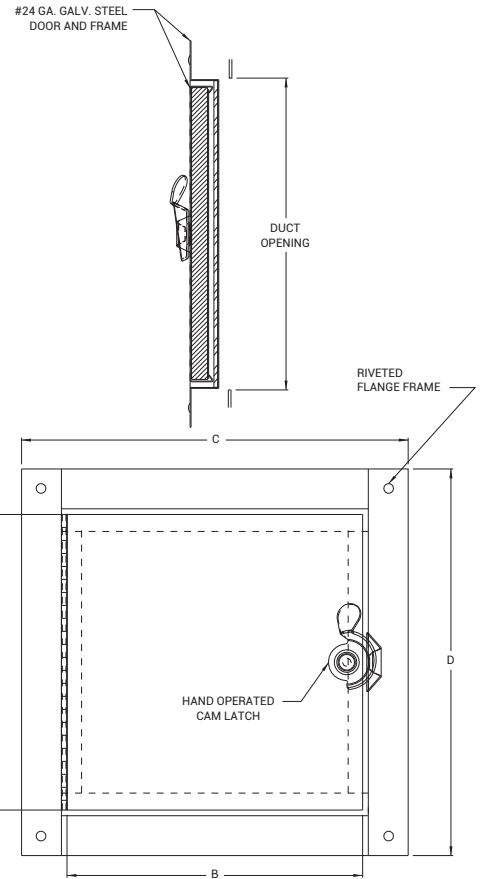
DIMENSIONS AND APPEARANCE

>> CLICK TO VIEW ADDITIONAL DETAILS AND PRICING <<

STANDARD SIZES:

DOOR SIZE W x H INCHES (MM)	LATCHES	WEIGHT	
		LBS	KG
6 x 6 (152 x 152)	2	1.00	0.5
8 x 8 (203 x 203)	2	1.25	0.6
10 x 10 (254 x 254)	2	2.00	0.9
12 x 12 (304 x 304)	2	2.50	1.1
14 x 14 (356 x 356)	2	3.25	1.5
16 x 16 (406 x 406)	2	4.00	1.8
18 x 18 (457 x 457)	2	5.50	2.5
24 x 24 (610 x 610)	2	12.0	5.5

Duct opening is same size as normal door opening
For detailed specifications see submittal sheet



For a complete list of options visit www.AccessDoorsAndPanels.com

PROJECT DATA

Custom Sizes Available - Fast!

Scan or Click



To view Pricing and Additional Product Info.

PROJECT NAME :	QTY	W	H	OPTIONS
ARCHITECT :				
DEALER :				
CONTRACTOR :				
LOCATION :	SPECIAL INSTRUCTIONS :			
DATE :				
TAGGING INSTRUCTIONS :	SUBMITTAL APPROVAL : (signature or stamp)			

TELEPHONE:
1-888-457-1275
FAX:
1-888-626-2907



PO BOX 66738 #76520,
SAINT LOUIS, MO
63166-6738
USA



WEBSITE:
www.AccessDoorsAndPanels.com
E-MAIL:
info@AccessDoorsAndPanels.com



HDF

HINGED DUCT DOOR FOR FIBERGLASS DUCT

NOMINAL DOOR SIZE	A	B	C	D	DUCT OPENING	LATCH
Inches (mm)						
6 x 6 (152 x 152)	5.375 (137)	5.375 (137)	8.875 (225)	8.875 (225)	6 X 6 (152 X 152)	2
8 x 8 (203 x 203)	7.375 (187)	7.375 (187)	10.875 (276)	10.875 (276)	8 X 8 (203 X 203)	2
10 x 10 (254 x 254)	9.375 (238)	9.375 (238)	12.875 (327)	12.875 (327)	10 X 10 (254 X 254)	2
12 x 12 (304 x 304)	11.375 (289)	11.375 (289)	14.875 (378)	14.875 (378)	12 X 12 (304 X 304)	2
14 x 14 (356 x 356)	13.375 (340)	13.375 (340)	16.875 (429)	16.875 (429)	14 X 14 (356 X 356)	2
16 x 16 (406 x 406)	15.375 (391)	15.375 (391)	18.875 (479)	18.875 (479)	16 X 16 (406 X 406)	2
18 x 18 (457 x 457)	17.375 (441)	17.375 (441)	20.875 (530)	20.875 (530)	18 X 18 (457 X 457)	2
24 x 24 (610 x 610)	23.375 (603)	23.375 (603)	26.875 (683)	26.875 (683)	24 X 24 (610 X 610)	2

